

CONFIGURATION TABLE ③

MODEL NO.	'X' (mm)	'Y' (mm)	'Z' (mm)	MASS (g)
LDX-115-013	14.5	14.5	29.5	886±50
LDX-115-025	27	27	42	1460±50
LDX-115-038	39.5	39.5	54.5	2034±50
LDX-115-050	52	52	67	2610±75
LDX-115-075	77	77	92	3757±75

REVISIONS			DRW	CHK	DRE
REV	DATE	DESCRIPTION	GAR	DDR	PK
A	2023-04-13	INITIAL RELEASE			

D

D

C

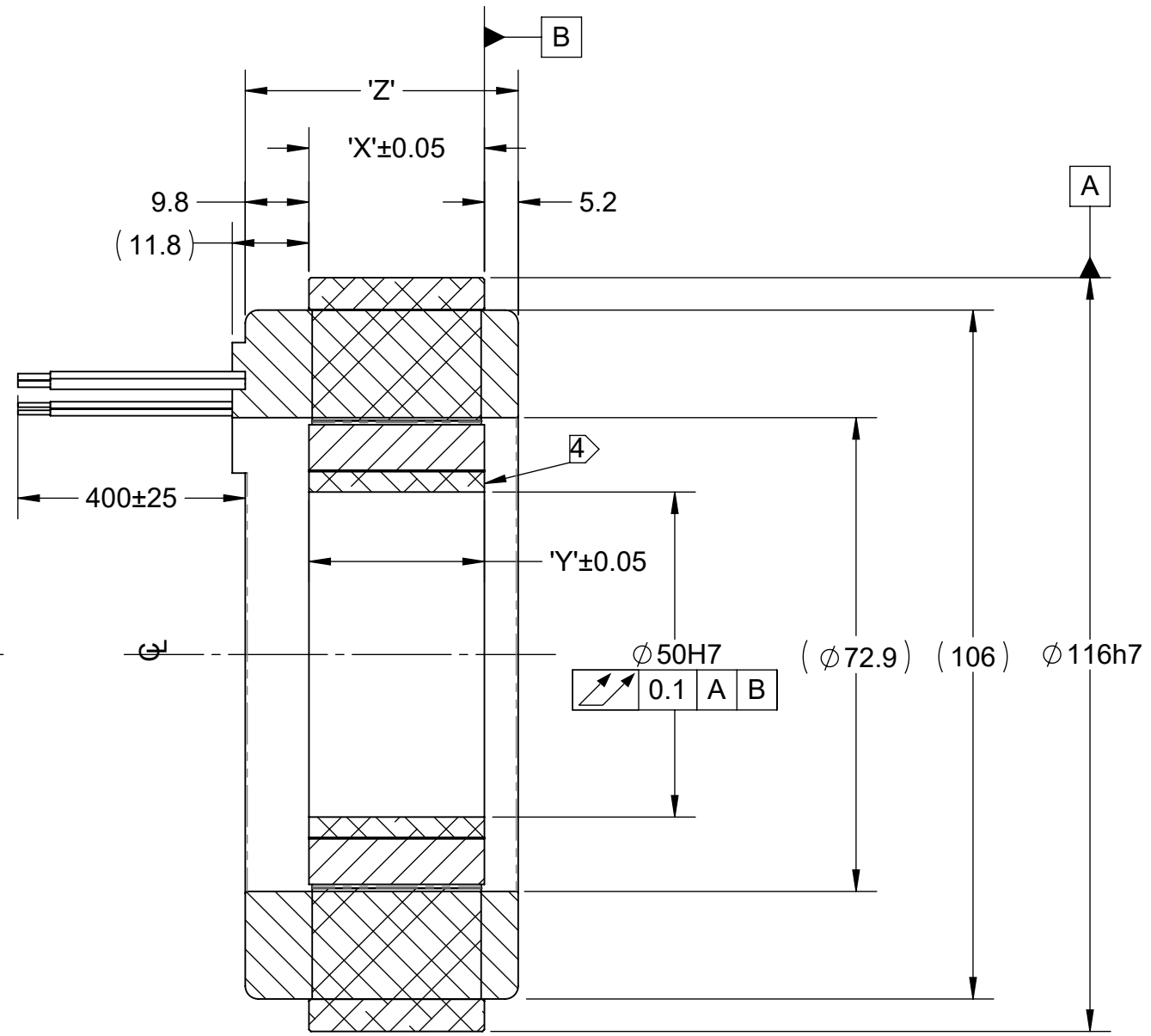
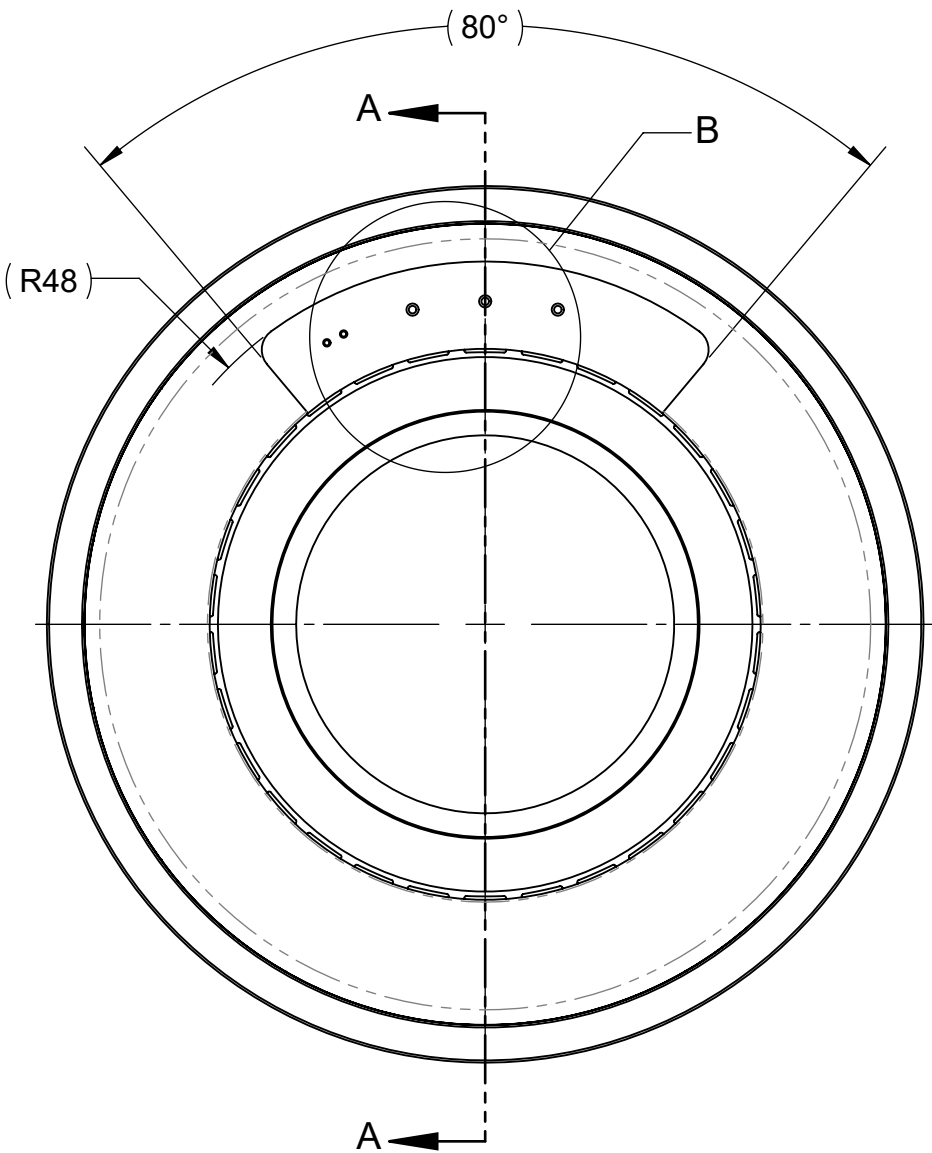
C

B

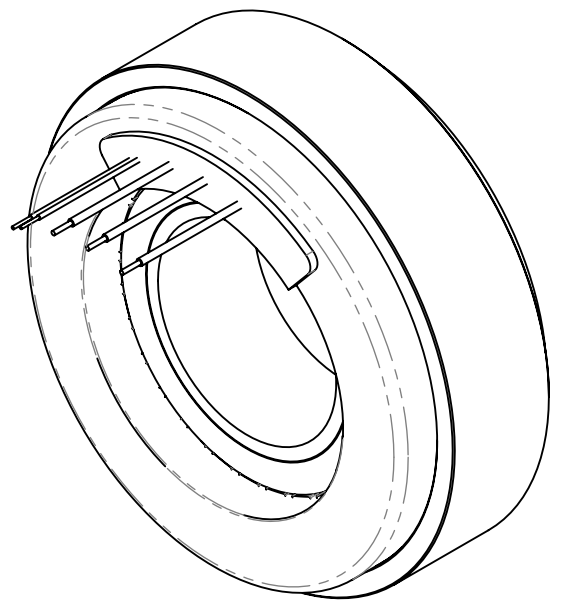
B

A

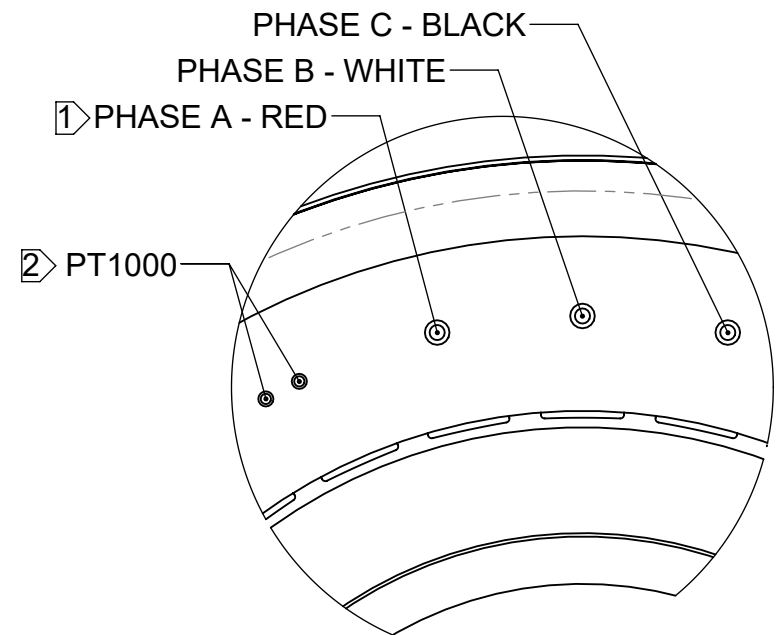
A



SECTION A-A



PICTORIAL VIEW



DETAIL B  
SCALE 2 : 1

NOTES:

- ① ALL MOTOR WIRES ARE 14 AWG.
- ② PT1000 WIRES ARE 24 AWG.
- ③ DEPENDANT ON MODEL NUMBER. SEE CONFIGURATION TABLE. LDX-115-025 SHOWN.
- ④ ROTOR SURFACE TO BE COPLANAR WITH DATUM B

**PROPRIETARY AND CONFIDENTIAL**

THE INFORMATION CONTAINED IN THIS DRAWING IS THE SOLE PROPERTY OF GENESIS MOTION SOLUTIONS, LP. ANY REPRODUCTION IN PART OR AS A WHOLE WITHOUT THE WRITTEN PERMISSION OF GENESIS MOTION SOLUTIONS IS PROHIBITED. COPYRIGHT GENESIS MOTION SOLUTIONS, LP. ALL RIGHTS RESERVED.

MATERIAL: NONE  
FINISH: NONE

INTERPRET GEOMETRIC TOLERANCES AS PER ASME Y14.5-2009

**UNLESS OTHERWISE SPECIFIED**

1. DIMENSION UNITS: mm  
2. TOLERANCES: SURFACE FINISH: 3.2/  
ANGULAR: ±2°  
LINEAR: ±0.2

3. REMOVE BURRS & BREAK SHARP EDGES 0.3 MAX  
4. INTERNAL CORNERS MODELED AS SHARP TO BE R0.2 MAX

3RD ANGLE

MASS: ③

INITIAL DRE: PK  
SCALE: 1:1

PART NO: CONFIGURABLE

**Genesis Motion Solutions**

TITLE: MOTOR INTERFACE, LDX 115-XXX

SIZE: B  
DWG NO: 107676  
REV: A  
SHEET: 1 of 1