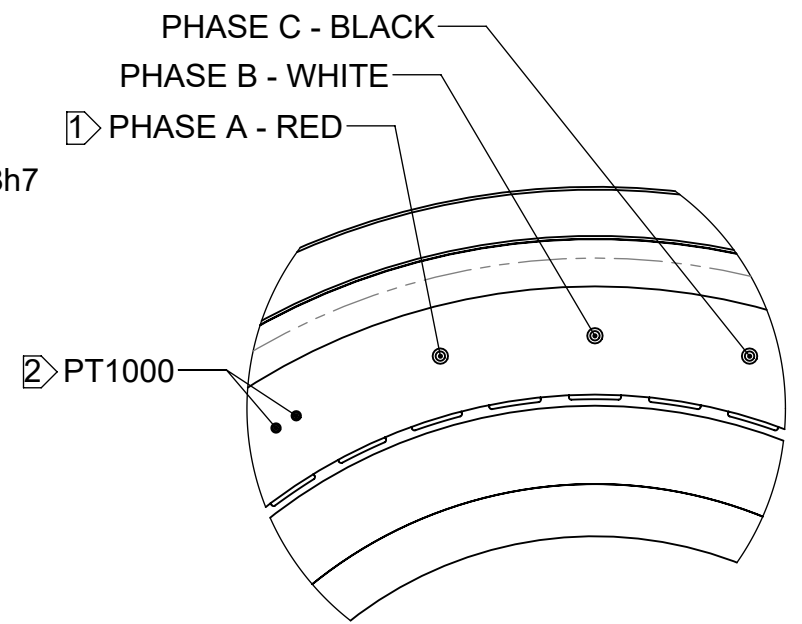
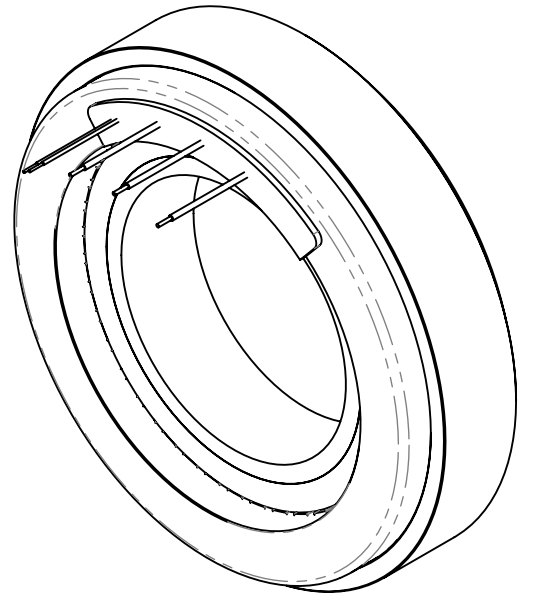
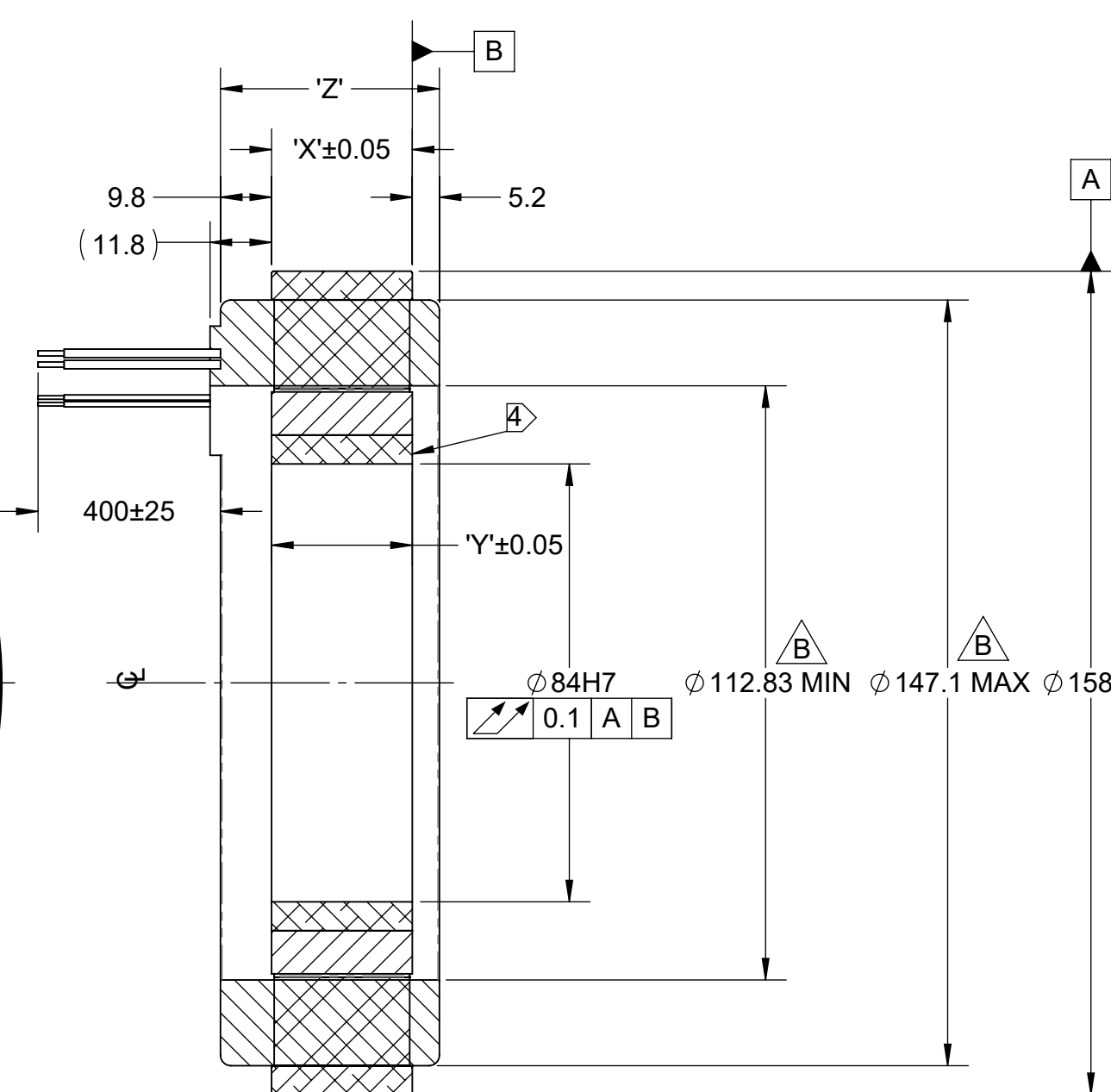
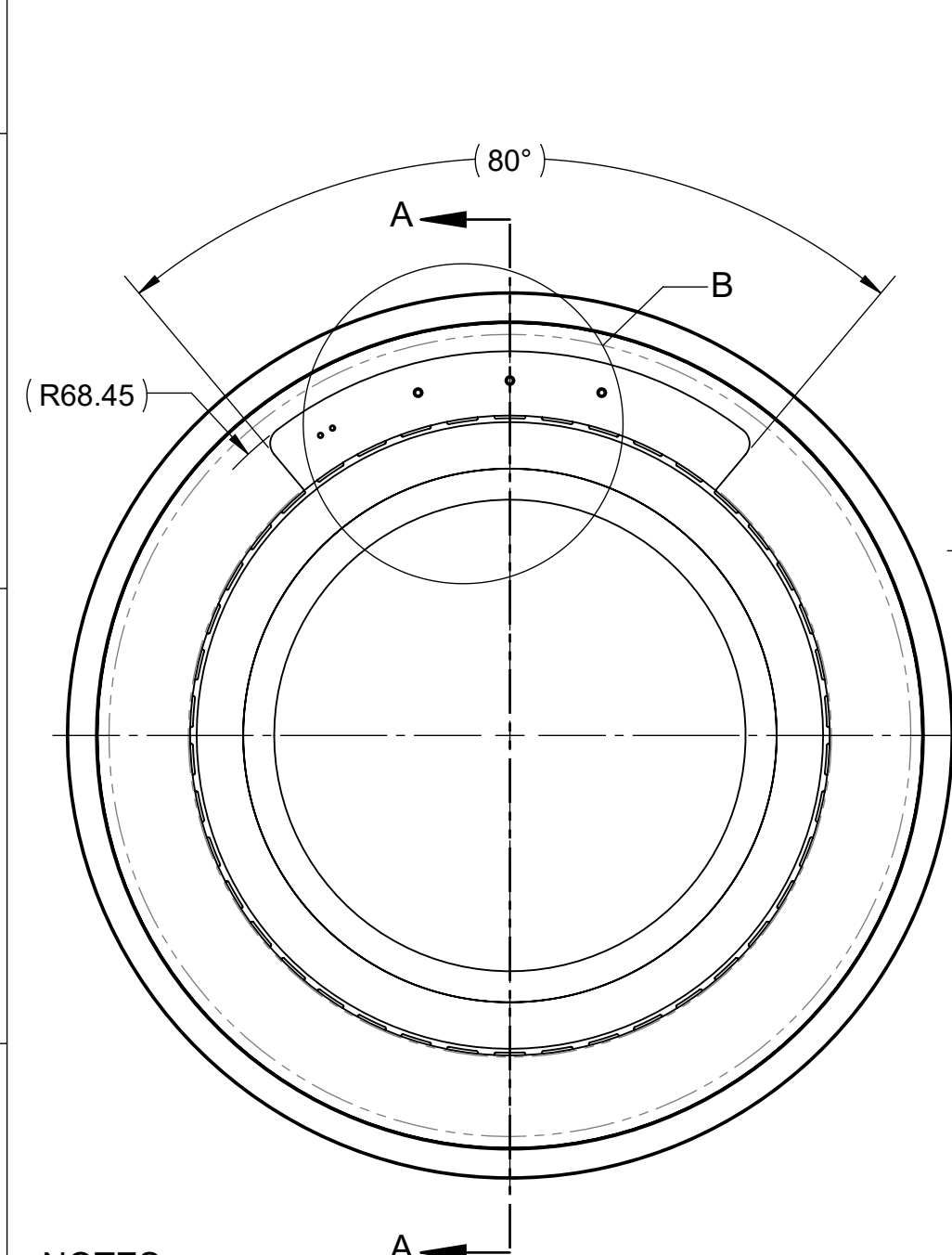


CONFIGURATION TABLE ③

MODEL NO.	'X' (mm)	'Y' (mm)	'Z' (mm)	MASS (g)
LDX-160-013	14.5	14.5	29.5	1331±50
LDX-160-025	27	27	42	2274±50
LDX-160-050	52	52	67	4116±75
LDX-160-075	77	77	92	5957±100
LDX-160-100	102	102	117	7801±125

REVISIONS			DRW	CHK	DRE
REV	DATE	DESCRIPTION	GAR	DDR	PK
A	2023-04-13	INITIAL RELEASE			
B	2023-10-03	UPDATING MIN AND MAX DIMENSIONS OF STATOR ID AND POTTING OD	AI	DDR	AI



DETAIL B
SCALE 1.25 : 1

- NOTES:**
- ① ALL MOTOR WIRES ARE 14 AWG.
 - ② PT1000 WIRES ARE 24 AWG.
 - ③ DEPENDANT ON MODEL NUMBER. SEE CONFIGURATION TABLE. LDX-160-025 SHOWN.
 - ④ ROTOR SURFACE TO BE COPLANAR WITH DATUM B

PROPRIETARY AND CONFIDENTIAL

THE INFORMATION CONTAINED IN THIS DRAWING IS THE SOLE PROPERTY OF GENESIS MOTION SOLUTIONS, LP. ANY REPRODUCTION IN PART OR AS A WHOLE WITHOUT THE WRITTEN PERMISSION OF GENESIS MOTION SOLUTIONS IS PROHIBITED. COPYRIGHT GENESIS MOTION SOLUTIONS, LP. ALL RIGHTS RESERVED.

MATERIAL: NONE
FINISH: NONE

INTERPRET GEOMETRIC TOLERANCES AS PER ASME Y14.5-2009

UNLESS OTHERWISE SPECIFIED

1. DIMENSION UNITS: mm
2. TOLERANCES: SURFACE FINISH: 3.2/
ANGULAR: ±2°
LINEAR: ±0.2

3. REMOVE BURRS & BREAK SHARP EDGES 0.3 MAX
4. INTERNAL CORNERS MODELED AS SHARP TO BE R0.2 MAX

3RD ANGLE					
MASS	③	TITLE		MOTOR INTERFACE, LDX 160-XXX	
INITIAL DRE	PK	SCALE	1:1.25		
PART NO	CONFIGURABLE	SIZE	DWG NO	REV	SHEET
		B	107688	B	1 of 1