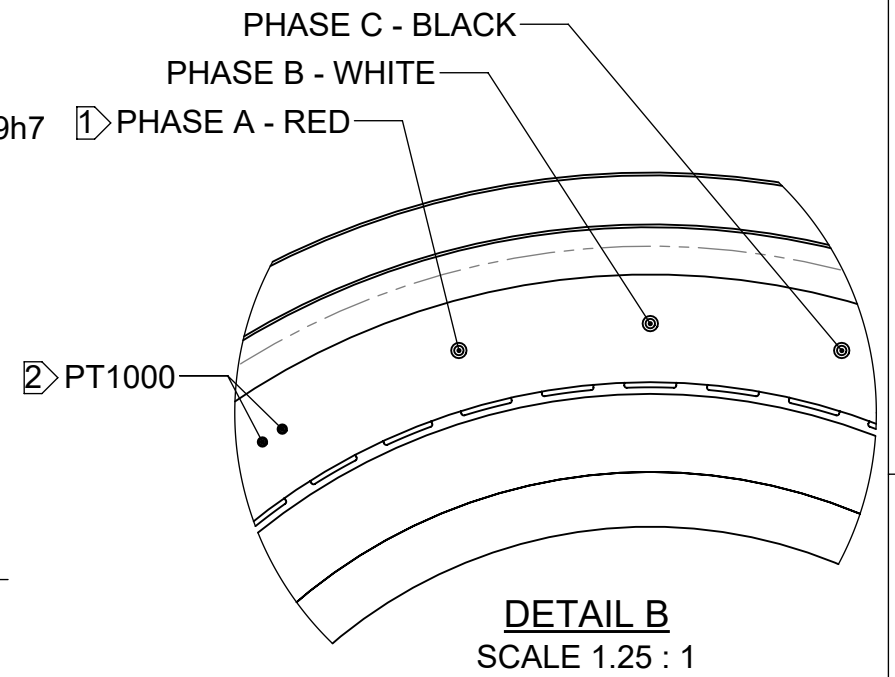
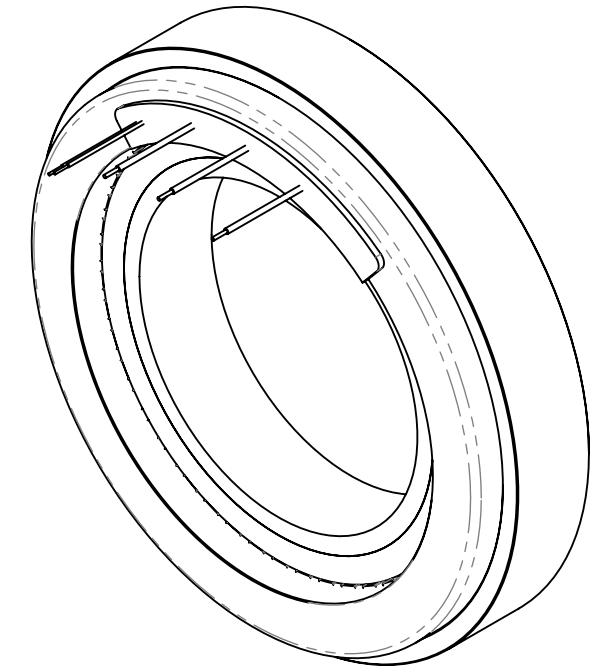
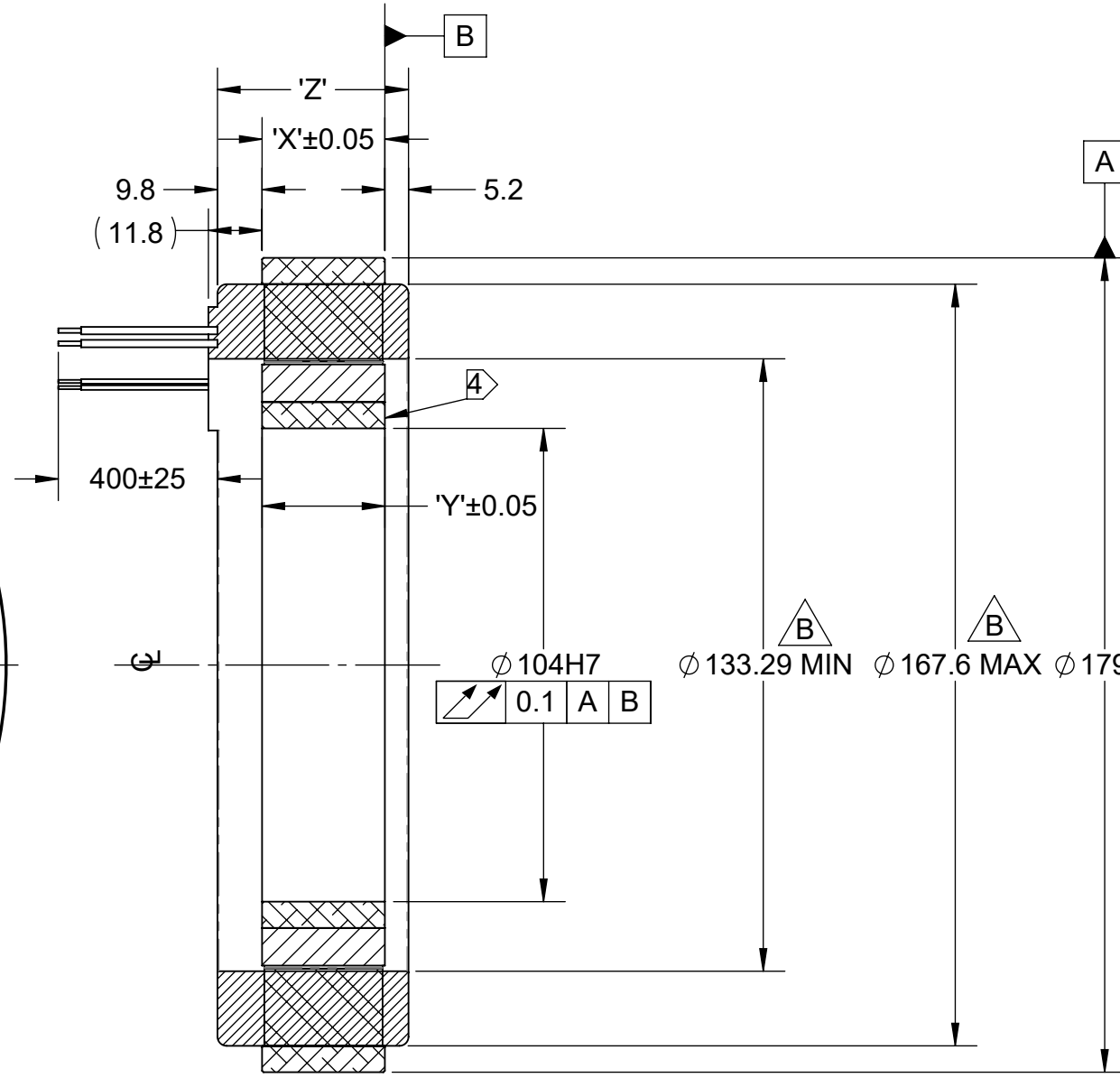
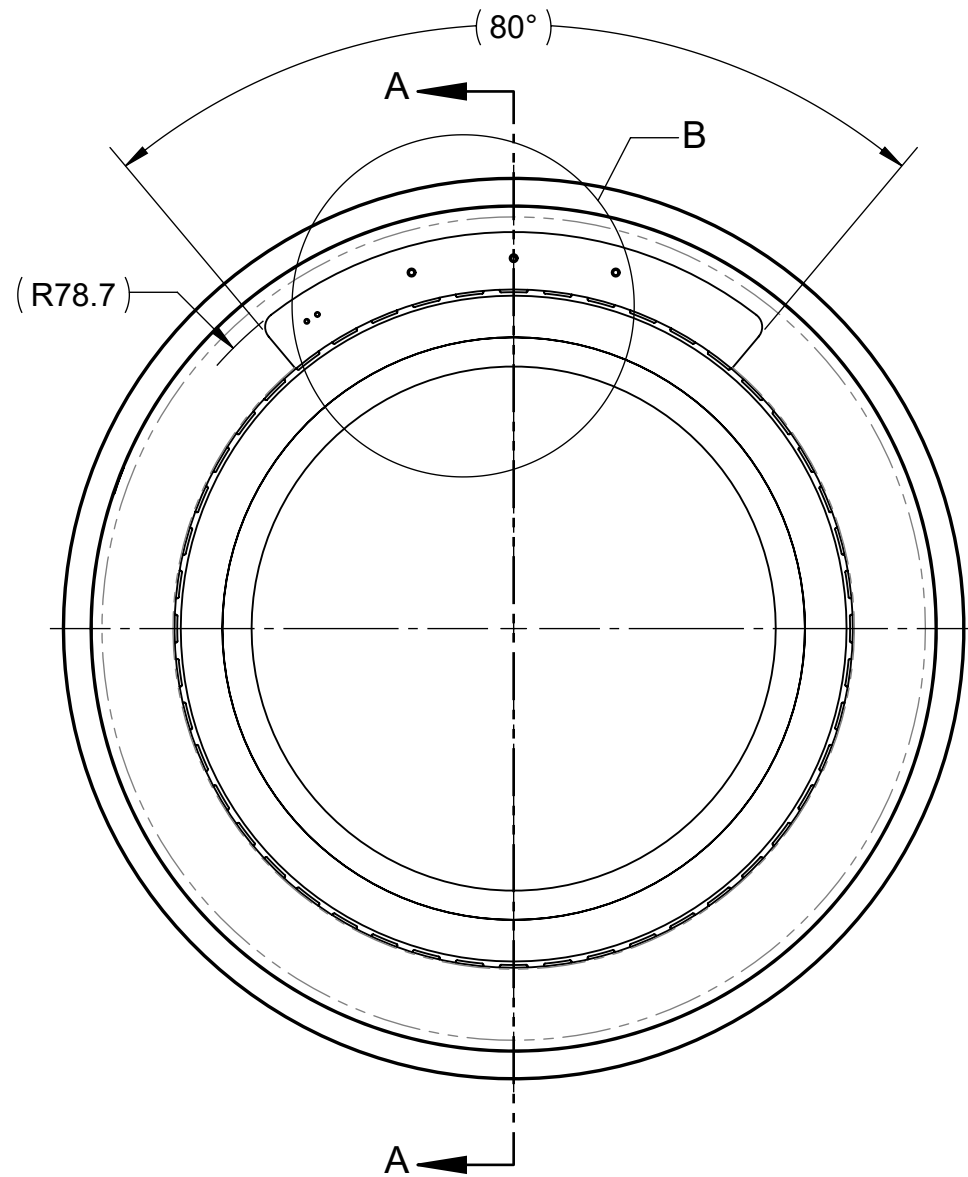


CONFIGURATION TABLE ③

MODEL NO.	'X' (mm)	'Y' (mm)	'Z' (mm)	MASS (g)
LDX-180-013	14.5	14.5	29.5	1570±50
LDX-180-025	27	27	42	2654±75
LDX-180-050	52	52	67	4832±75
LDX-180-075	77	77	92	6949±100
LDX-180-100	102	102	117	9104±125

REVISIONS			DRW	CHK	DRE
REV	DATE	DESCRIPTION			
A	2023-04-13	INITIAL RELEASE	GAR	DDR	PK
B	2023-10-03	UPDATING MIN AND MAX DIMENSIONS OF STATOR ID AND POTTING OD	AI	DDR	AI



- NOTES:**
- ① ALL MOTOR WIRES ARE 14 AWG.
 - ② PT1000 WIRES ARE 24 AWG.
 - ③ DEPENDANT ON MODEL NUMBER. SEE CONFIGURATION TABLE. LDX-180-025 SHOWN.
 - ④ ROTOR SURFACE TO BE COPLANAR WITH DATUM B.

PROPRIETARY AND CONFIDENTIAL THE INFORMATION CONTAINED IN THIS DRAWING IS THE SOLE PROPERTY OF GENESIS MOTION SOLUTIONS, LP. ANY REPRODUCTION IN PART OR AS A WHOLE WITHOUT THE WRITTEN PERMISSION OF GENESIS MOTION SOLUTIONS IS PROHIBITED. COPYRIGHT GENESIS MOTION SOLUTIONS, LP. ALL RIGHTS RESERVED.	MATERIAL NONE	3RD ANGLE 	
	FINISH NONE		
	INTERPRET GEOMETRIC TOLERANCES AS PER ASME Y14.5-2009 UNLESS OTHERWISE SPECIFIED 1. DIMENSION UNITS: mm 2. TOLERANCES: SURFACE FINISH 3.2/ ANGULAR: ±2° LINEAR: ±0.2	MASS ③ INITIAL DRE SCALE PK 1:1.5	TITLE MOTOR INTERFACE, LDX 180-XXX
	3. REMOVE BURRS & BREAK SHARP EDGES 0.3 MAX 4. INTERNAL CORNERS MODELED AS SHARP TO BE R0.2 MAX	PART NO CONFIGURABLE	SIZE DWG NO B 107694